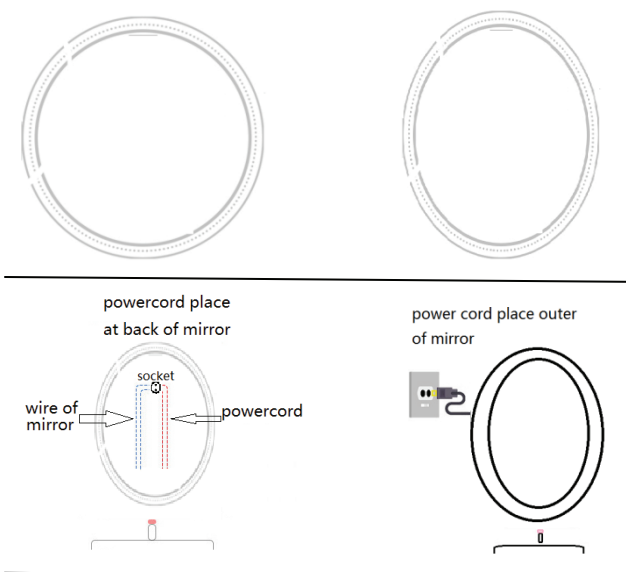


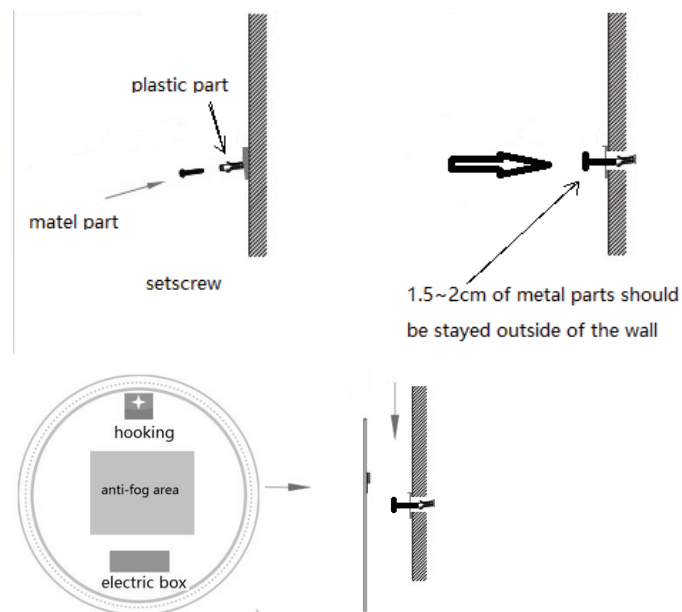
Manual for Round and Elliptic Mirror



Necessary tools before Install



Installation step Make hole on the wall



Hang up the mirror on screw and make sure stable.

testing Mirror working



time anti-fog light

press both anti-fog key and light key to adjust time and please note that time and temperature will be auto-cycle displaying every 15 seconds