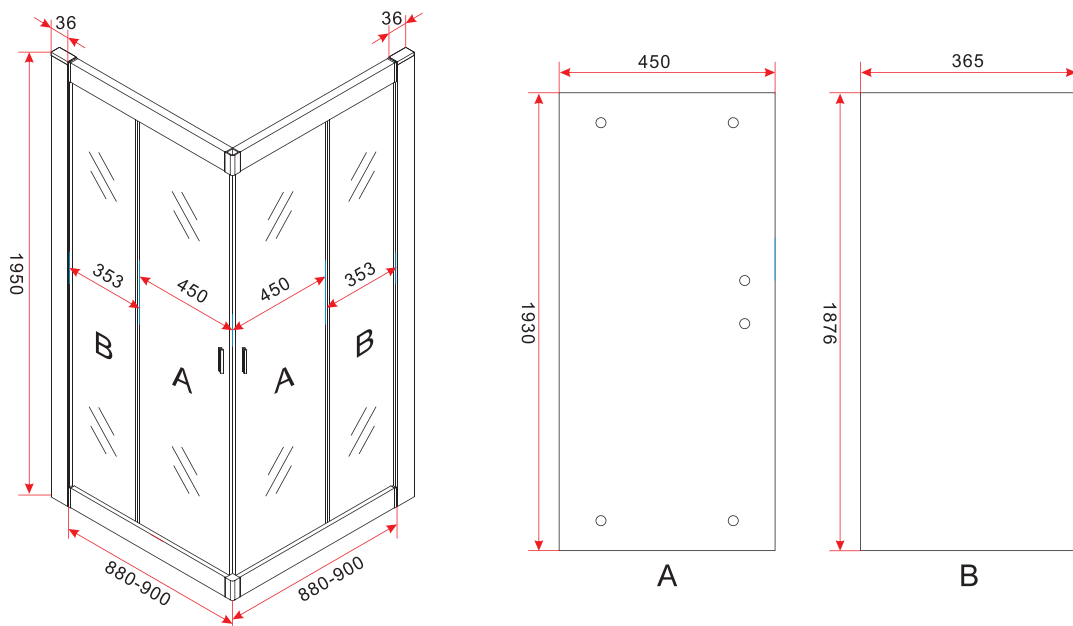
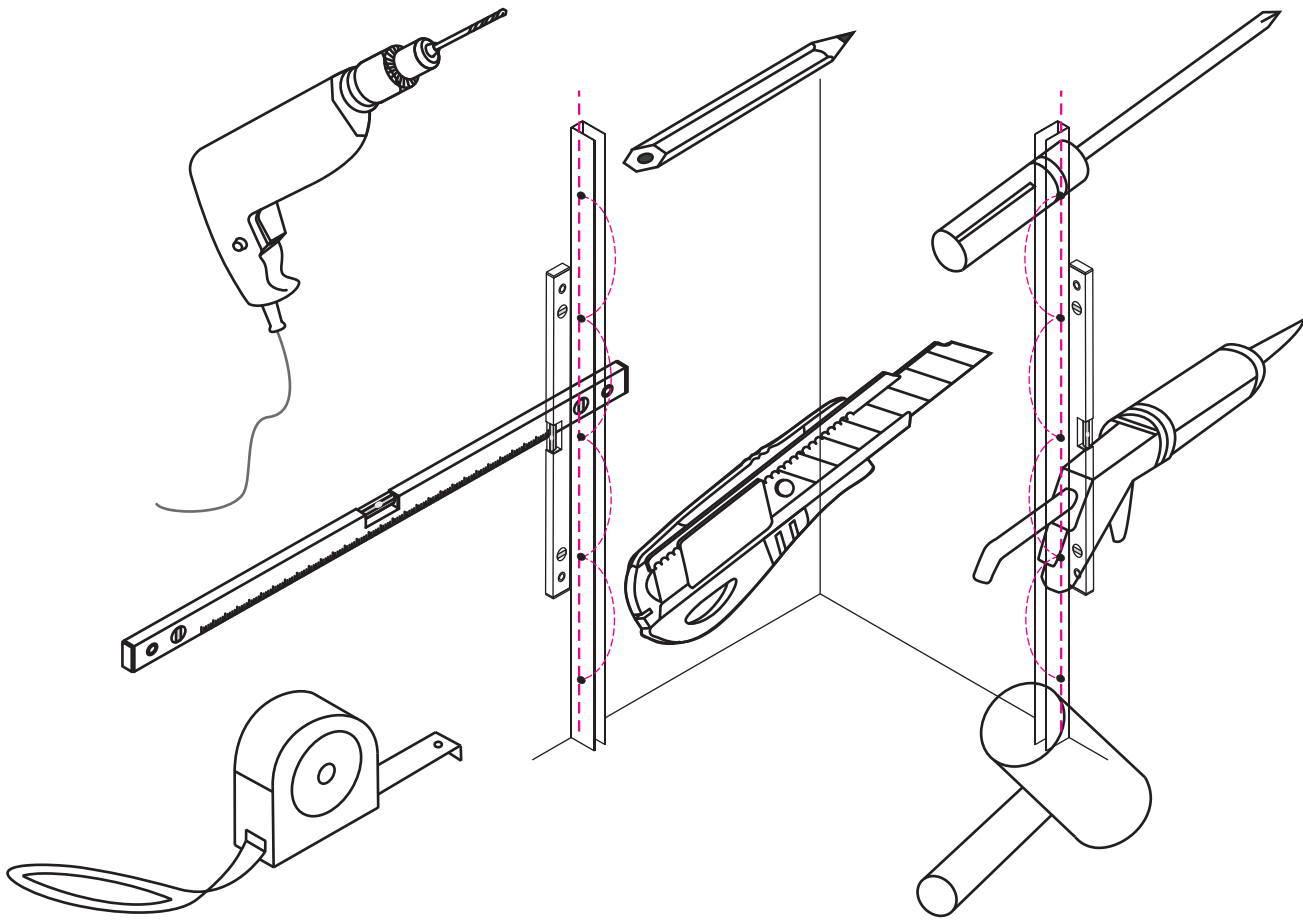


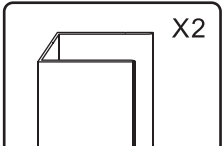
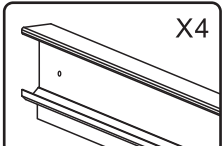
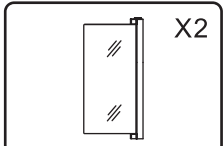
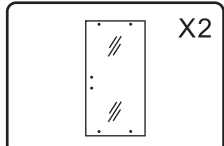
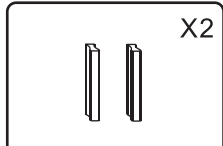
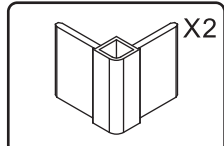
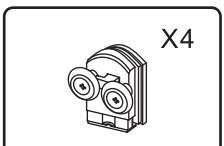
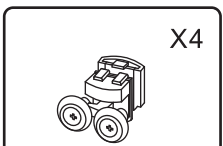
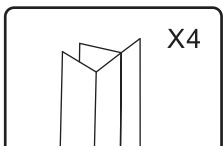
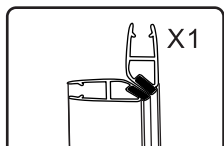
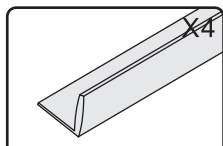
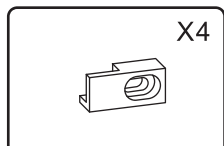
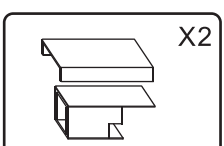
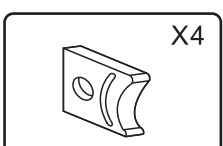
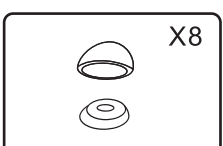
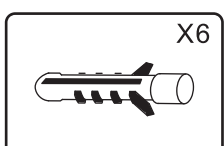
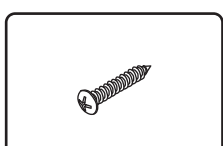
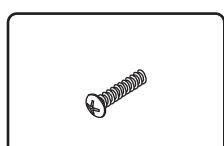
900x900x1950mm



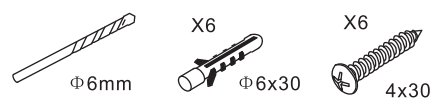
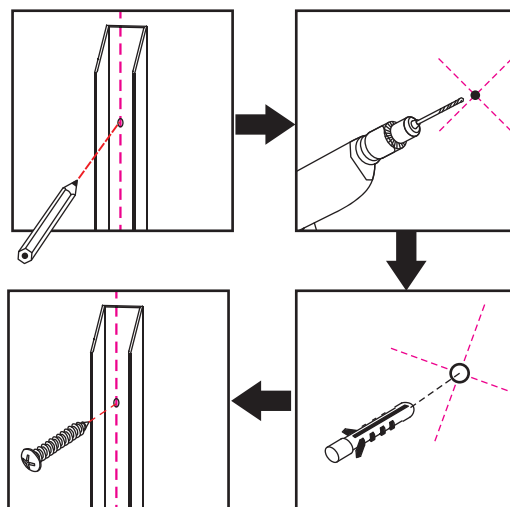
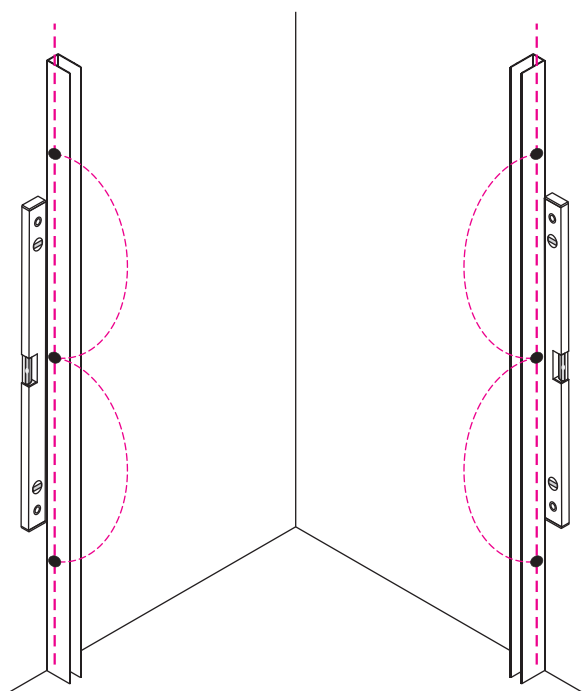
**TECHNICAL DRAWING**





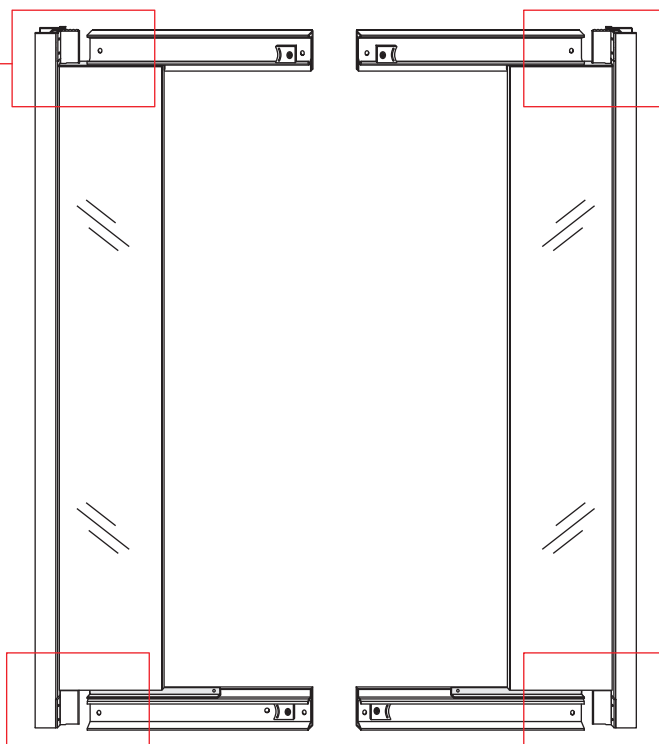
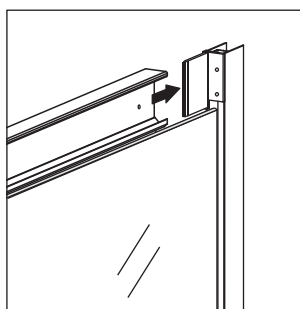
 X2	 X4	 X2	 X2	 X2	 X2
 X4	 X4	 X4	 X1	 X4	 X4
 X2	 X4	 X8	 X6		

Install the wall profile.



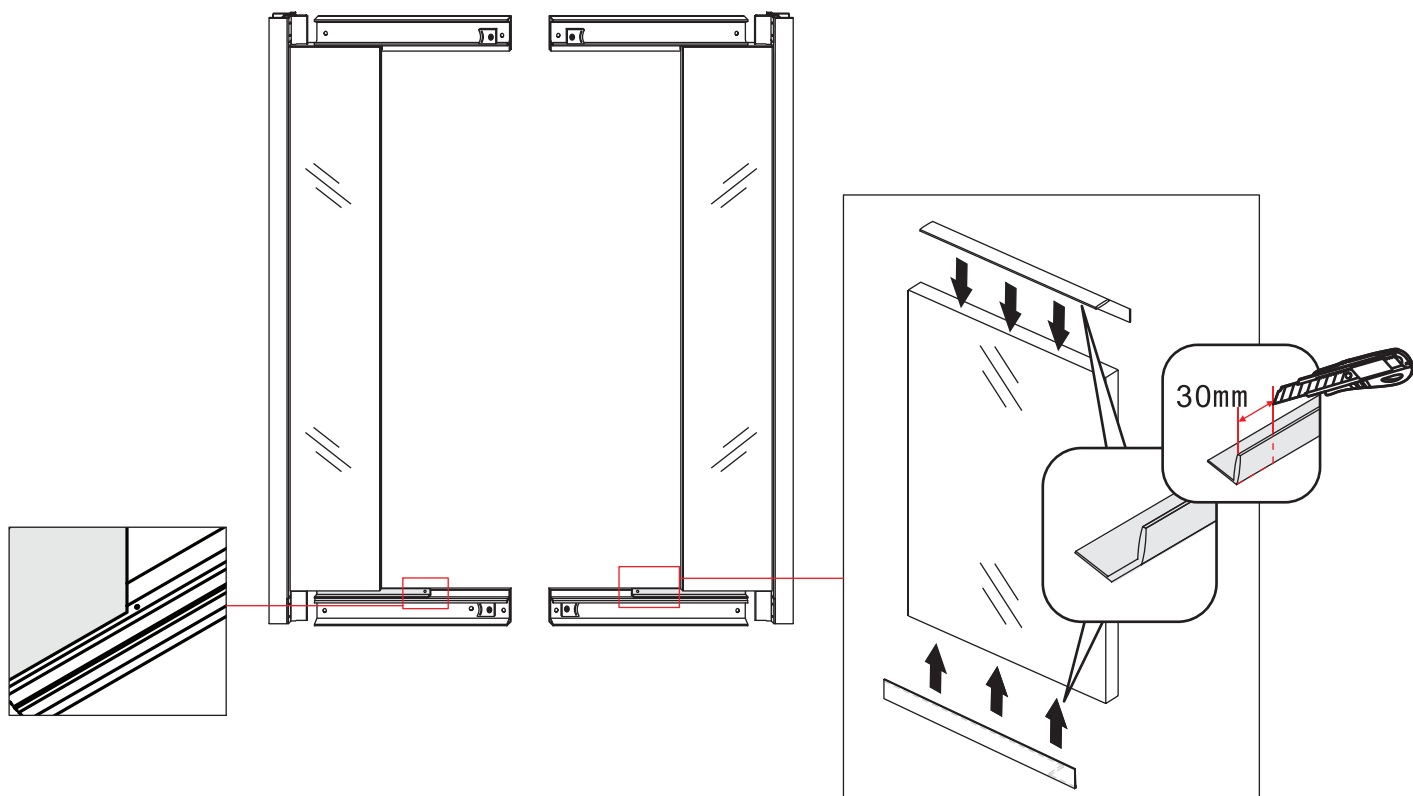
1

Install the frame profile.



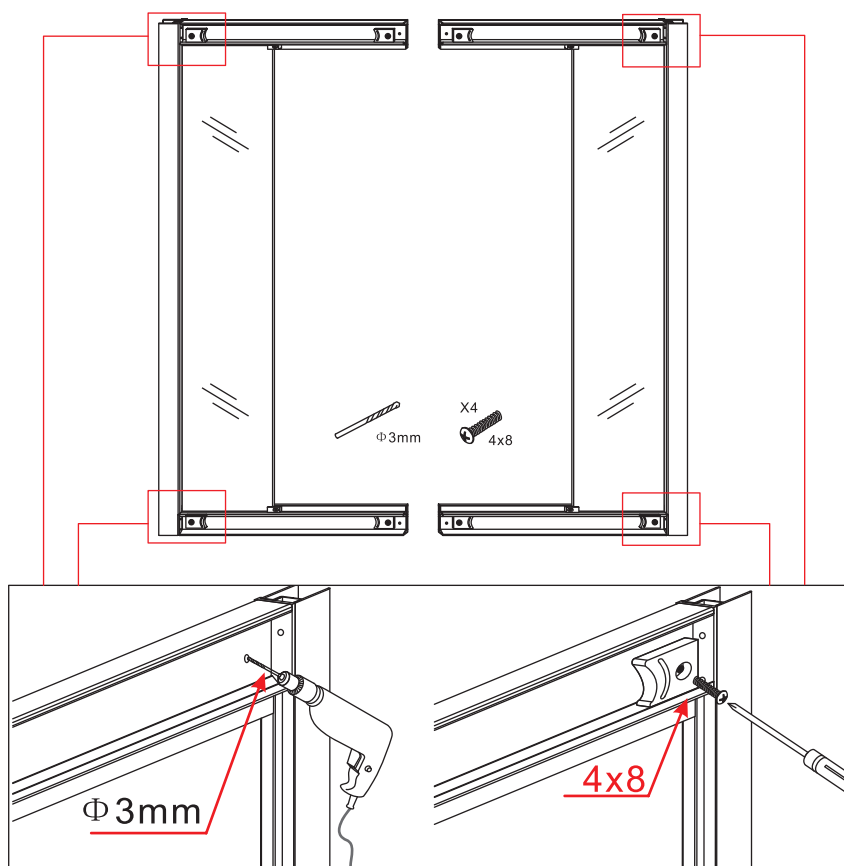
2

Install the top and bottom strap of fixed glass.



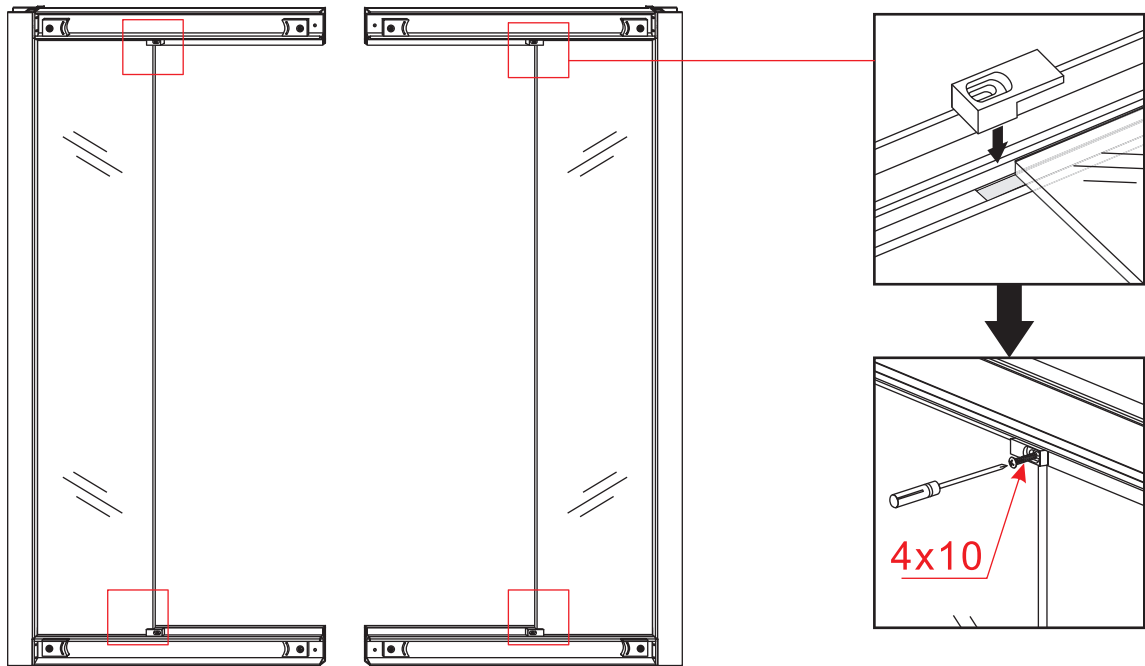
3

Install the 4 location block.

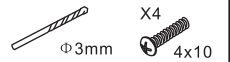


4

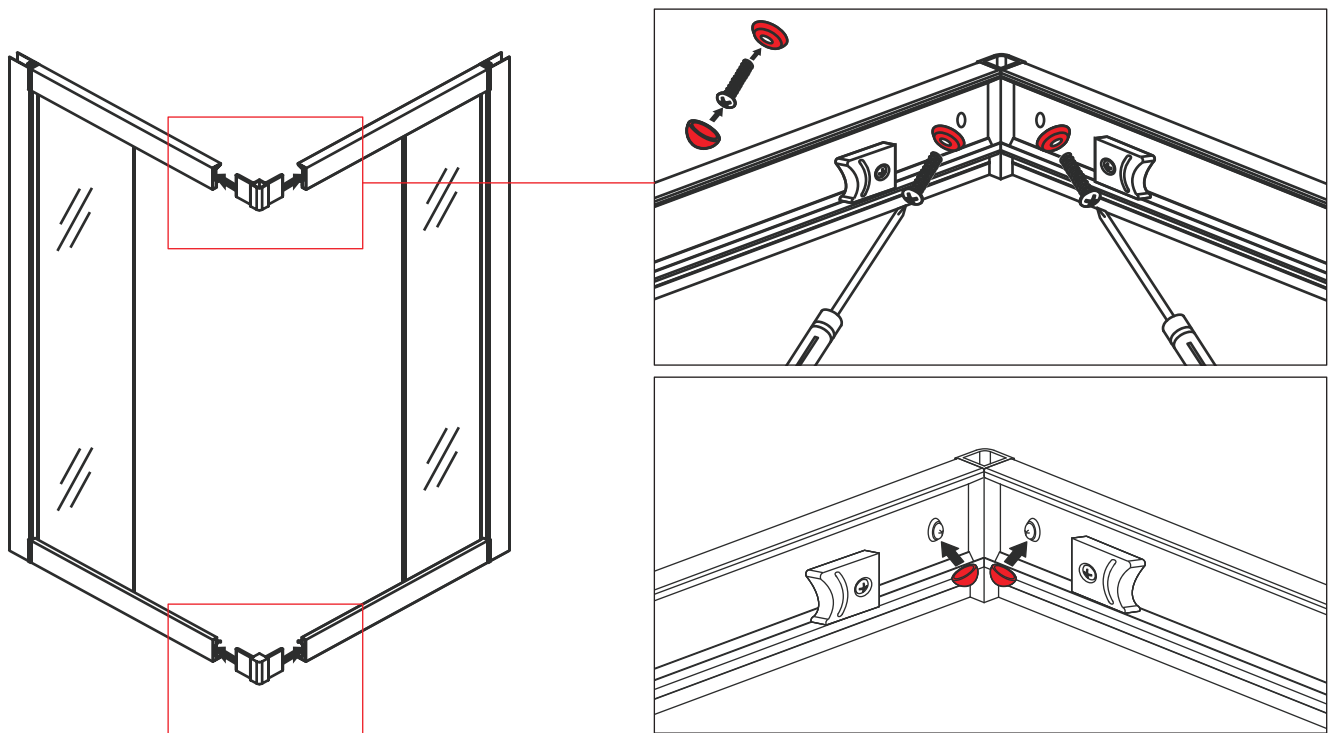
Install the fixed block of fixed glass.



5



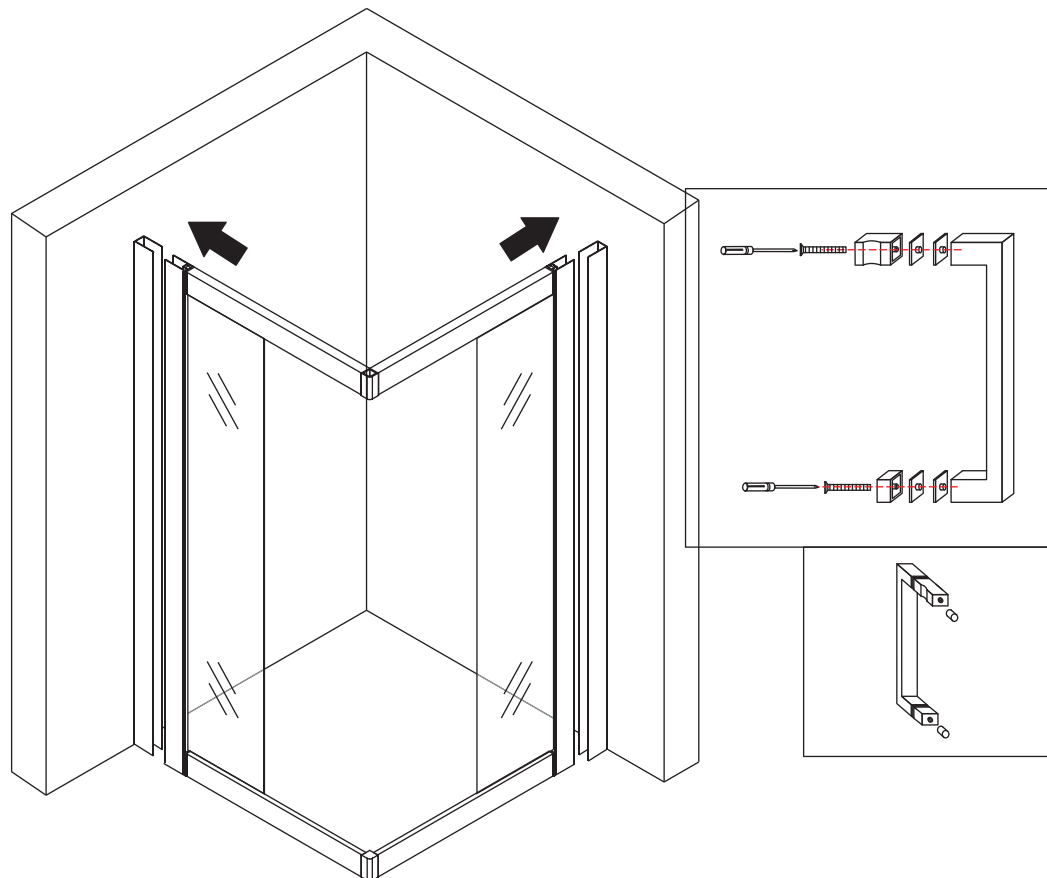
Install top and bottom connect part.



6

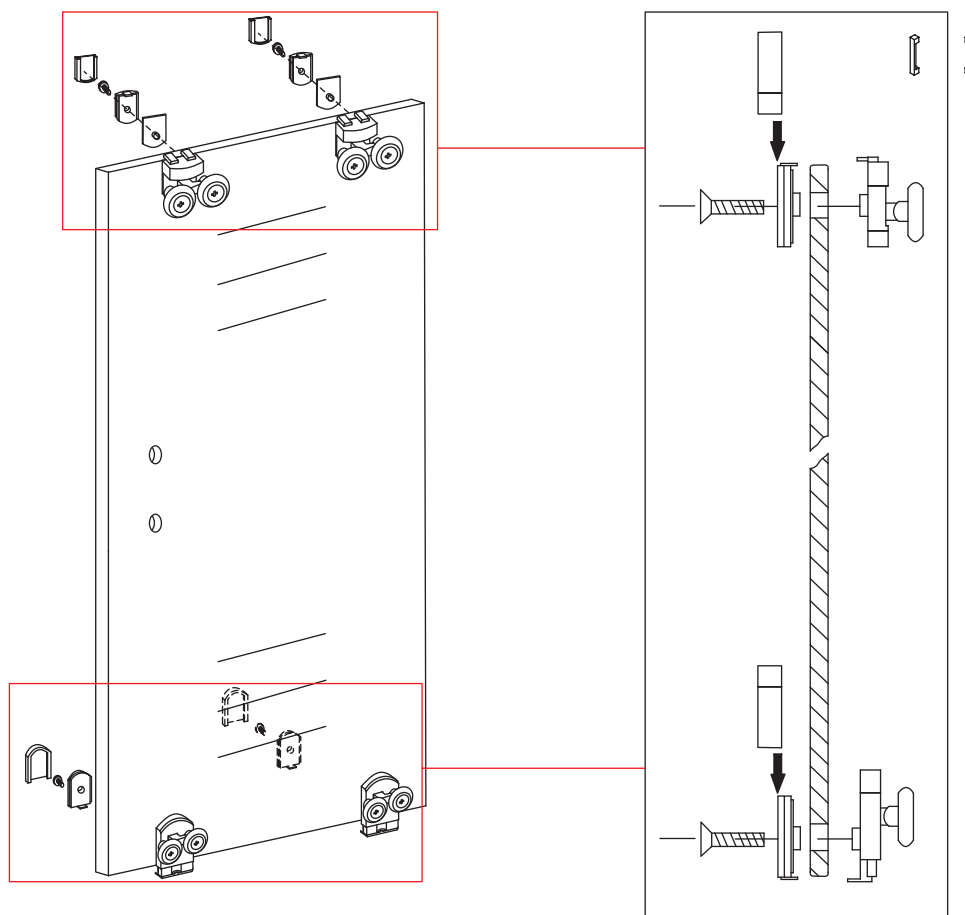


Install the the fixed glass into wall profile.



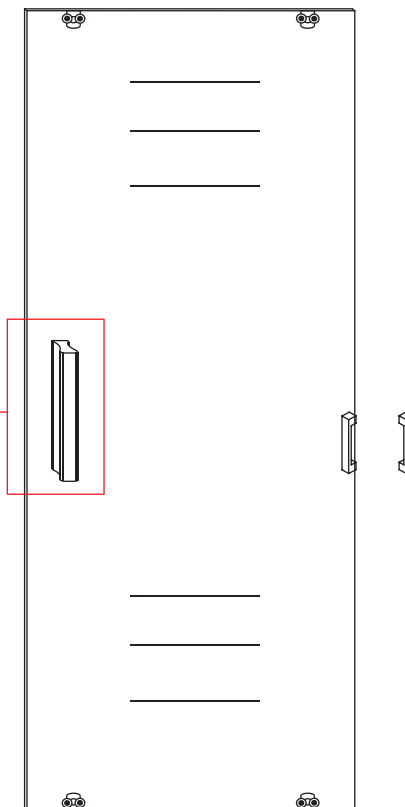
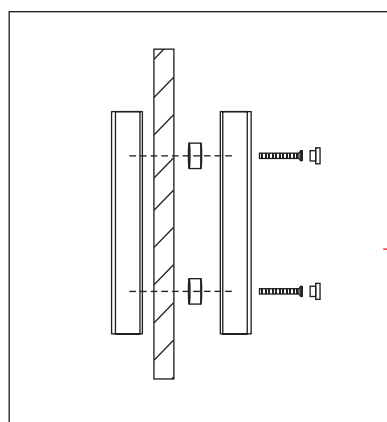
7

Install top and bottom wheels on door glass.



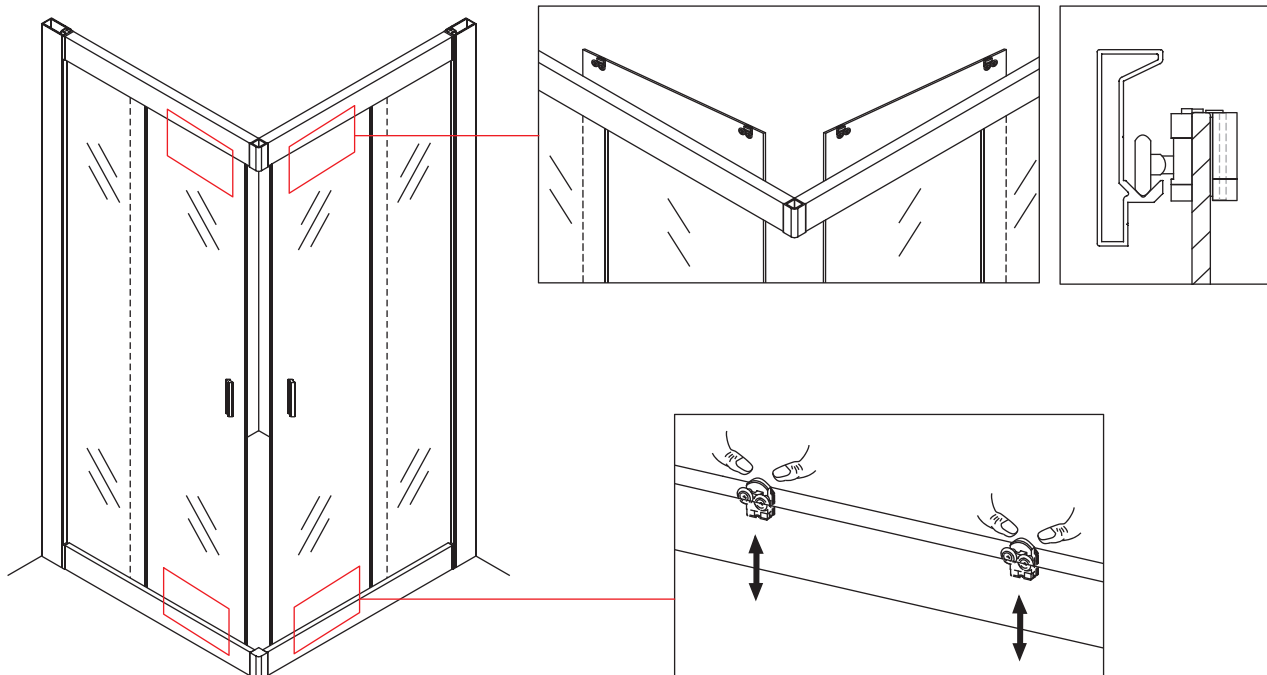
8

Install the handle.



9

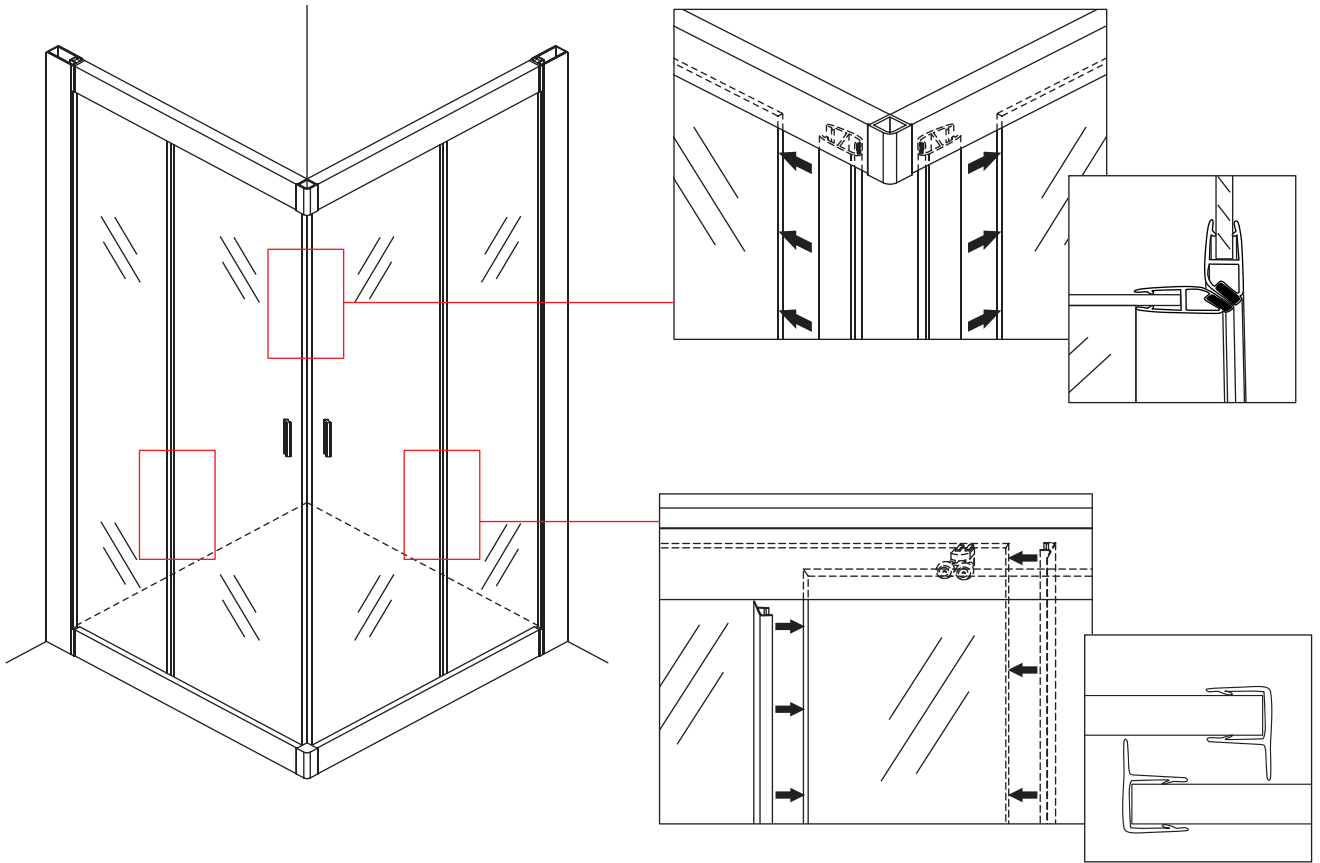
Insert the door glass into frame profile.



10

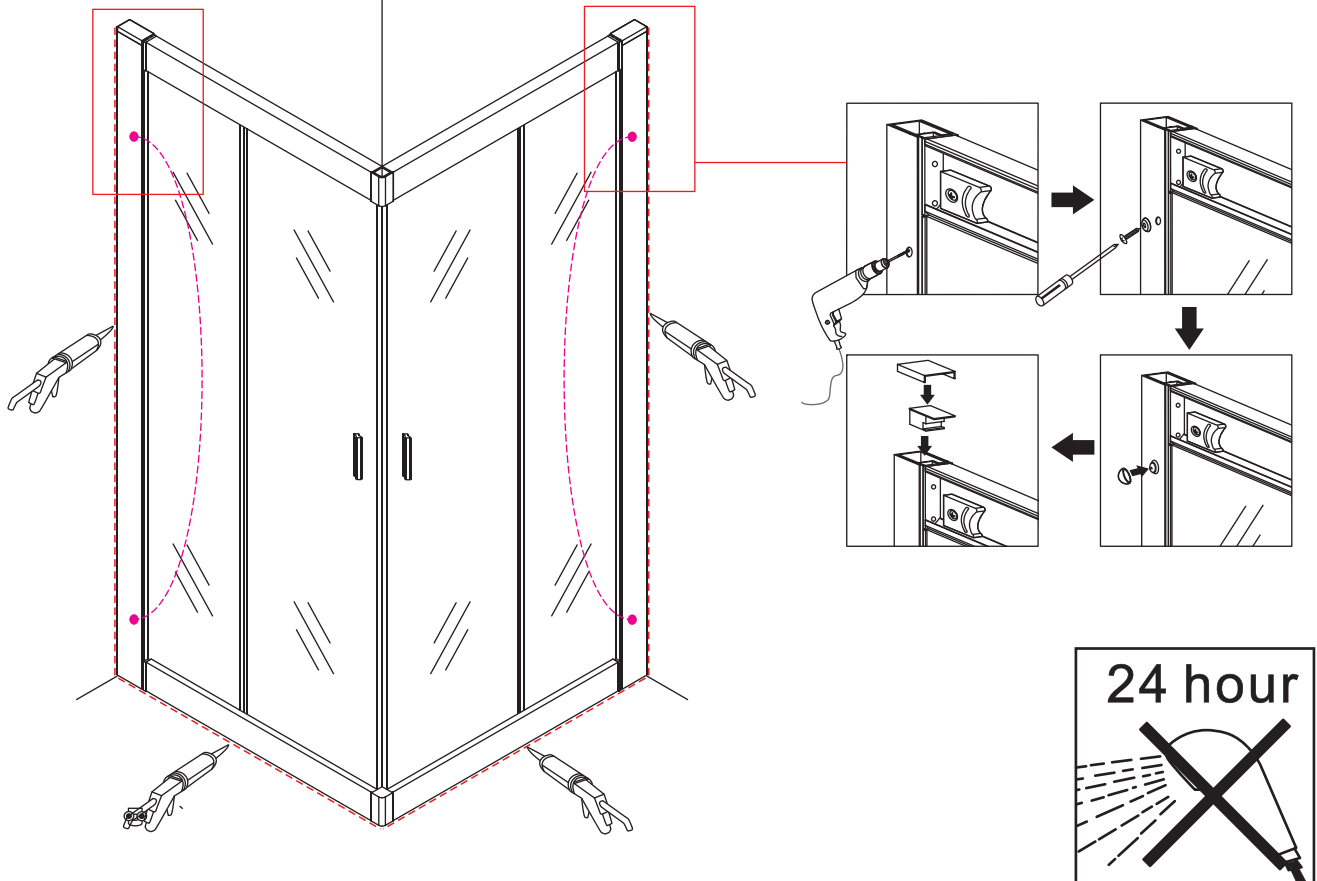
2

Install the magnetic strip.  
Install the water-proof gasket between fixed and door glass.



11

Install the screw into wall profile and top decorate part 2.  
Make the glass gel then make sure without shower in 24hours.



12